



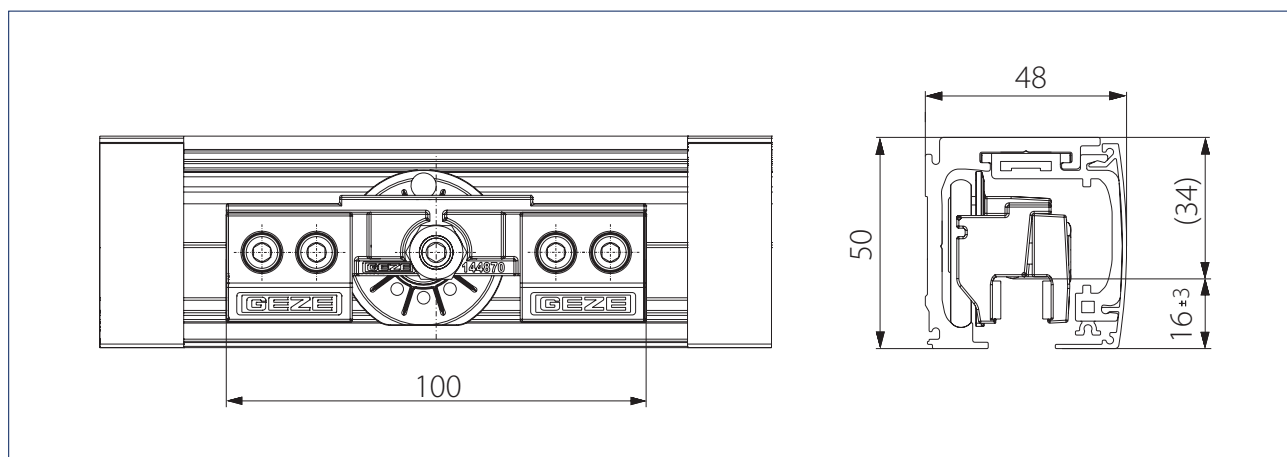


GEZE Levolan 60

The sleek universal fitting for all types of door leaves

The compact GEZE Levolan 60 sliding door system is the sleek solution for designing functional manual sliding doors for internal applications and moving them effortlessly. The fitting technology is completely integrated in the track, which is only 50 mm high, and can be used for door leaf weights of up to 60 kg. With its linear design, the modular GEZE system adapts to almost any installation situation. The fitting is installed quickly and easily from the front using the Levolan Smart fix installation system. All visible parts are available in the finishes silver-coloured EV1, stainless steel optic or RAL.

With the **GEZE Levolan 60 SoftStop**, the variant with one- or two-sided draw-in damper, sliding elements of up to 60 kg can be realised without additional leaf processing. The two-sided draw-in damper is available even for slim door leaf widths from 770 mm. Door movement is gently slowed approx. 10 cm before the end of the end stop. The door leaves are then guided automatically almost silently into the end position. Slamming into the frame or end stop is avoided, a pinching hazard almost excluded. The Levolan 60 SoftStop can be retro-fitted and adapts the sliding door to changing user requirements.



APPLICATION RANGE

- For toughened safety glass elements of 8, 10 and 12 mm as well as laminated safety glass of up to 10 mm (with additional LSG kit) and wooden leaves up to a weight of 60 kg
- For all 1- and multiple-leaf sliding doors
- With or without fixed panel
- For attachment on the wall and ceiling (directly and concealed) as well as for glass installation
- Damped on one or both sides with Levolan 60 SoftStop
- Smooth running with Levolan 60 SoftStop makes it particularly well suited for doors in living and office spaces

TECHNICAL DATA

Product features	GEZE Levolan 60
Leaf material	Glass, wood, plastic, metal
Leaf weight (max.)	60 kg
Leaf weight (max.) with draw-in damper	60 kg
Number of leaves	1-leaf, 2-leaf
Test cycles	100,000
Corrosion protection class	3
Type of installation	Wall installation, ceiling installation, glass installation, concealed in the ceiling
Fixed panel	•

• = yes

Classification in accordance with DIN EN 1527

GEZE Levolan 60								
Usage category	Duration of functional ability	Door weight	Fire resistance	Safety	Corrosion resistance	Protection	Door type	Initial friction
-	6	2	-	1	3	-	1	3

The description of the classes can be found at the end of the catalogue.

OVERVIEW OF COMPONENTS

GEZE Levolan 60 SoftStopDuo glass leaf wall mounting with spacer profile for wall clearance

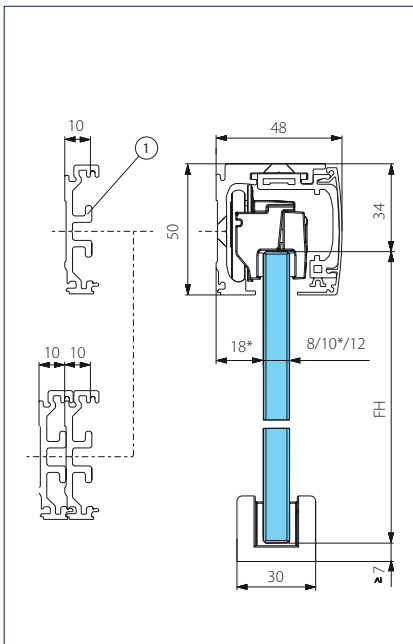


- 1 = Spacer profile for wall clearance Levolan
- 2 = Track Levolan
- 3 = Cover panel bracket Levolan
- 4 = End stop with hold-open device Levolan
- 5 = End covers Levolan

- 6 = Front cover profile Levolan
- 7 = Levolan 60 SoftStopDuo
- 8 = Roller carriage Levolan 60
- 9 = Glass leaf (on site)
- 10 = Floor guide for glass leaf (adjustable)

CROSS-SECTION DRAWINGS

The fitting can be attached to the wall, the ceiling, a fanlight or a fixed panel.

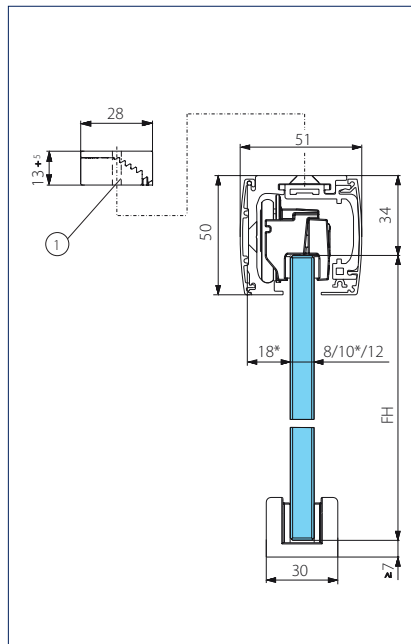


Wall mounting glass

* = Dependence dimension shown with 10 mm panel thickness

FH = Leaf height

1 = Spacer profile for wall clearance

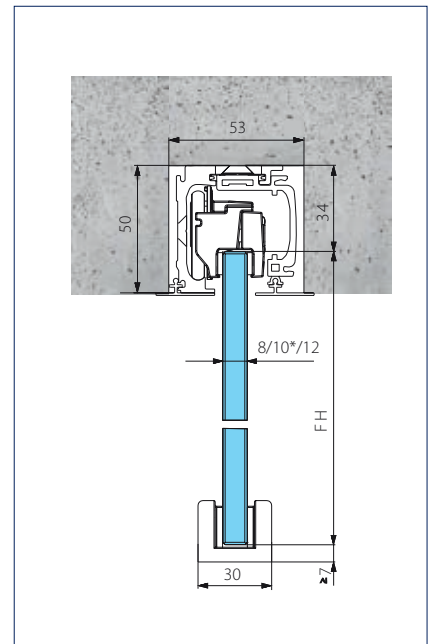


Ceiling mounting glass

* = Dependence dimension shown with 10 mm panel thickness

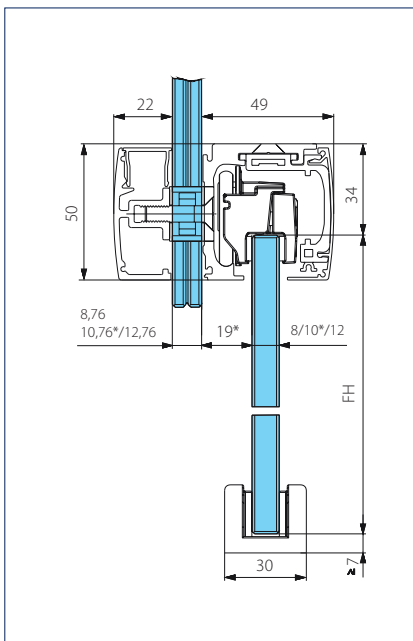
FH = Leaf height

1 = Height compensation mechanism



Concealed ceiling mounting glass

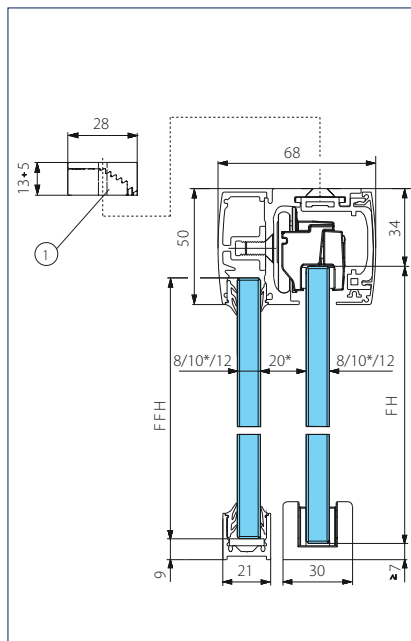
FH = Leaf height



Fanlight mounting glass

* = Dependence dimension shown with 10 mm panel thickness

FH = Leaf height



Fixed panel mounting glass

* = Dependence dimension shown with 10 mm panel thickness

FH = Leaf height

FFH = Fixed panel height

1 = Height compensation mechanism

OVERVIEW OF COMPONENTS

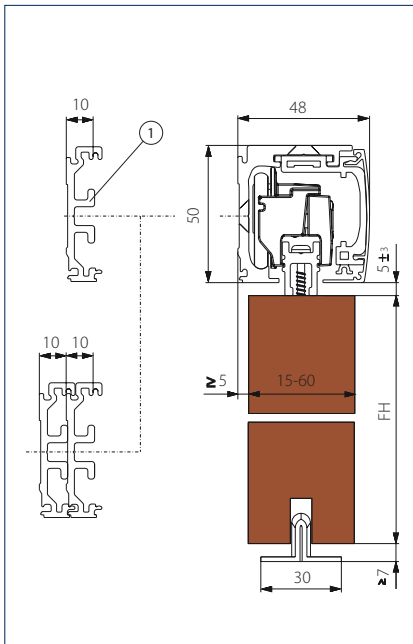
GEZE Levolan 60 SoftStop one-sided wooden leaf wall mounting with spacer profile for wall clearance



- 1 = Spacer profile for wall clearance Levolan
- 2 = Track Levolan
- 3 = Cover panel bracket Levolan
- 4 = End stop with hold-open device Levolan
- 5 = End cover Levolan
- 6 = Front cover profile Levolan

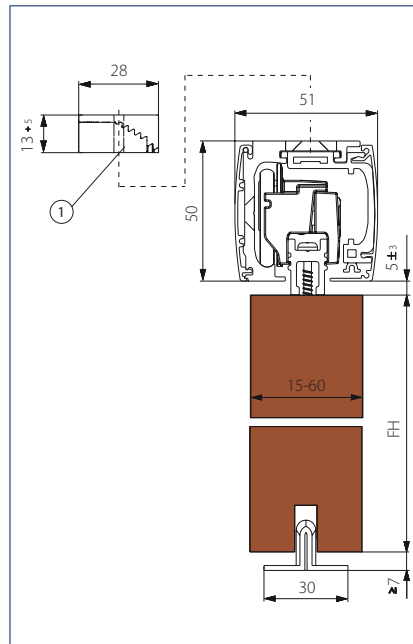
- 7 = Levolan 60 SoftStop one-sided
- 8 = Roller carriage Levolan 60
- 9 = Clamping profile for attaching wooden/metal leaves
- 10 = Wooden leaf (on site)
- 11 = Floor guide for wooden leaf

CROSS-SECTION DRAWINGS



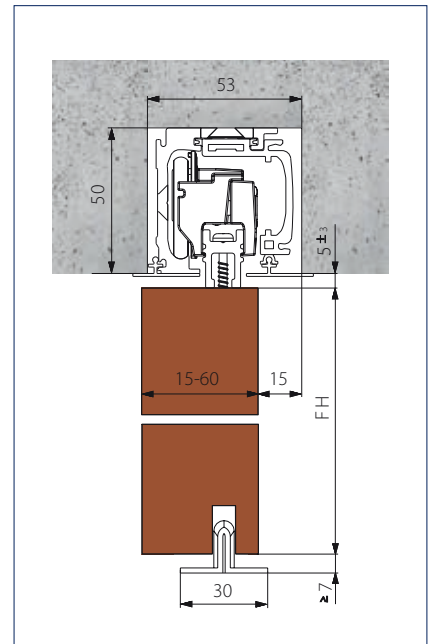
Wall mounting wood

FH = Leaf height
 1 = Spacer profile for wall clearance



Ceiling mounting wood

FH = Leaf height
 1 = Height compensation mechanism



Concealed ceiling mounting wood

FH = Leaf height

OVERVIEW OF COMPONENTS

GEZE Levolan 60 glass leaf fixed panel ceiling mounting



- 1 = Additional fixed panel profile Levolan / glass installation
- 2 = Track Levolan
- 3 = Cover panel bracket Levolan
- 4 = End stop with hold-open device Levolan
- 5 = End cover Levolan
- 6 = Front cover profile Levolan
- 7 = Fixed panel cover profile Levolan

- 8 = Roller carriage Levolan 60
- 9 = Glass seals
- 10 = U-profile fixed panel
- 11 = End cover U-profile fixed panel
- 12 = Glass leaf (on site)
- 13 = Floor guide for glass leaf (adjustable)

GEZE Levolan 60 glass leaf fixed panel with fanlight



- 1 = Fixed panel cover profile Levolan
- 2 = Additional fixed panel profile Levolan / glass installation
- 3 = Track Levolan
- 4 = Cover panel bracket Levolan
- 5 = End stop with hold-open device Levolan
- 6 = End cover Levolan
- 7 = Front cover profile Levolan

- 8 = Roller carriage Levolan 60
- 9 = Glass seals
- 10 = U-profile fixed panel
- 11 = End cover U-profile fixed panel
- 12 = Glass leaf (on site)
- 13 = Floor guide for glass leaf (adjustable)

GEZE LEVOLAN 120





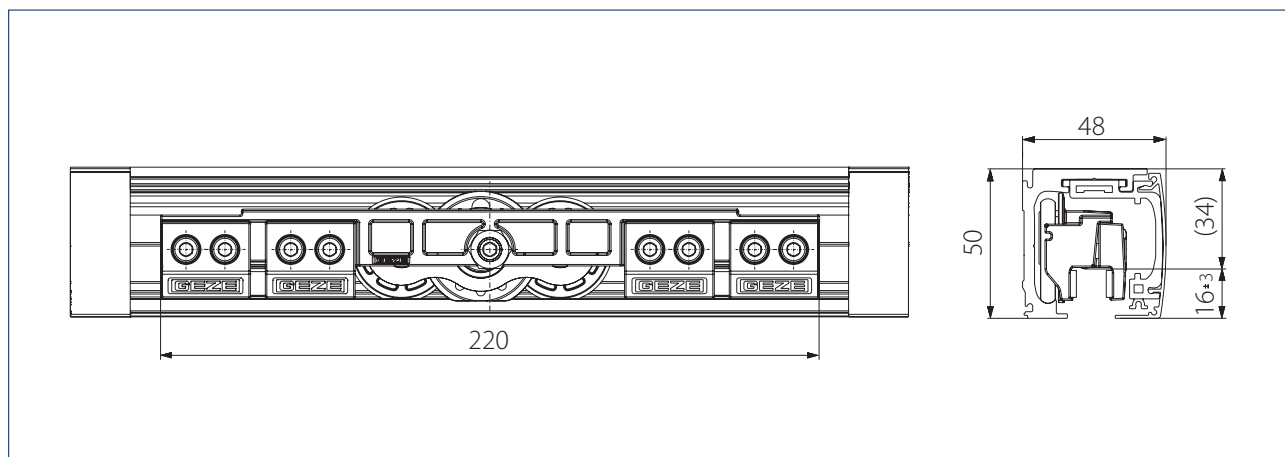
GEZE LEVOLAN 120

GEZE Levolan 120

The design fitting for all-glass and wooden sliding doors

Even though the two are identical in appearance, the GEZE Levolan 120 features a load-bearing capacity that carries twice as much as the tried-and-tested Levolan 60. With its compact dimensions, it provides an almost invisible clamping fitting for interior manual sliding doors with door leaves of up to 120 kg. The fitting technology is fully integrated into the track which is only 50 mm high. With its streamlined design, the modular system is perfect for nearly every installation situation. Only one track is required for ceiling and wall mounting. The fitting is installed quickly and easily from the front using the Levolan Smart fix installation system. All visible parts are available in the finishes silver-coloured EV1, stainless steel optic or in RAL colours.

The one- or two-sided draw-in damper **GEZE Levolan 120 SoftStop** which can be optionally integrated guides the sliding door leaves gently and safely into the end position with no risk of pinching or slamming into the frame. The integrated derailing protection is automatically activated upon height adjustment of the door leaf and provides additional safety. Door movement is gently slowed approx. 10 cm before the end of the end stop. The door leaves then move automatically and almost silently into the end position. The Levolan 120 SoftStop can be retro-fitted and adapts the sliding door to changing user requirements.



APPLICATION RANGE

- For toughened safety glass elements of 10 and 12 mm as well as laminated safety glass of up to 12 mm (with additional LSG kit) and wooden leaves up to a weight of 120 kg
- For all 1- and multiple-leaf sliding doors
- With or without fixed panel
- For attachment on the wall and ceiling (directly and concealed) as well as for glass installation
- Damped on one or both sides with Levolan 120 SoftStop
- Smooth running with Levolan 120 SoftStop makes it particularly well suited for doors in living and office spaces

TECHNICAL DATA

Product features	GEZE Levolan 120
Leaf material	Glass, wood, plastic, metal
Leaf weight (max.)	120 kg
Leaf weight (max.) with draw-in damper	120 kg
Number of leaves	1-leaf, 2-leaf
Test cycles	100,000
Corrosion protection class	3
Type of installation	Wall installation, ceiling installation, glass installation, concealed ceiling
Fixed panel	•

• = yes

Classification in accordance with DIN EN 1527

GEZE Levolan 120								
Usage category	Duration of functional ability	Door weight	Fire resistance	Safety	Corrosion resistance	Protection	Door type	Initial friction
-	6	3	-	1	3	-	1	3

The description of the classes can be found at the end of the catalogue.

OVERVIEW OF COMPONENTS FOR GLASS MOUNTING

GEZE Levolan 120 glass leaf SoftStop one-sided wall mounting with spacer profile for wall clearance

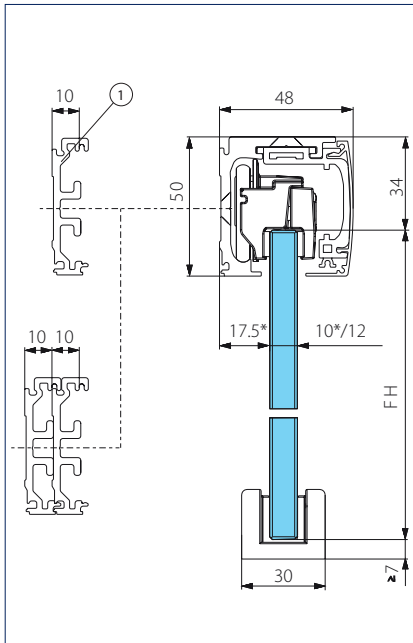


- 1 = Spacer profile for wall clearance Levolan
- 2 = Track Levolan
- 3 = Cover panel bracket Levolan
- 4 = End stop with hold-open device Levolan
- 5 = End cover Levolan

- 6 = Front cover profile Levolan
- 7 = Levolan 120 SoftStop one-sided
- 8 = Roller carriage Levolan 120
- 9 = Glass leaf (on site)
- 10 = Floor guide for glass leaf (adjustable)

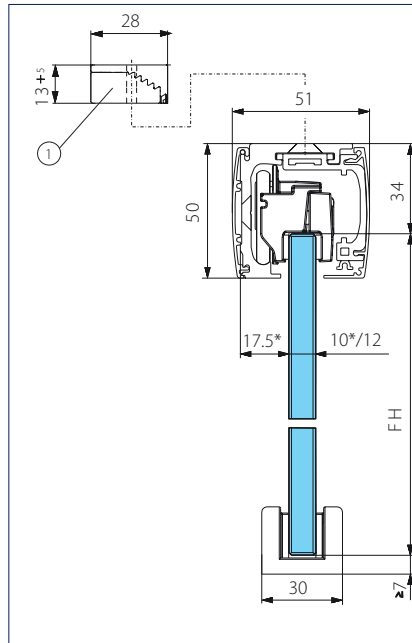
CROSS-SECTION DRAWINGS

The fitting can be attached directly to the ceiling, to the wall, a fixed panel or a fanlight.



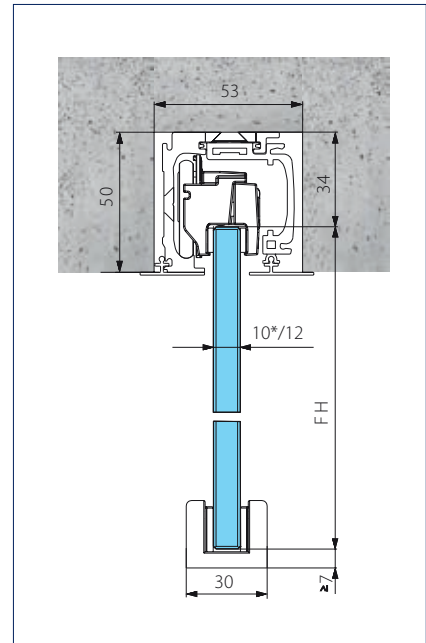
Wall mounting glass

- * = Dependence dimension shown with 10 mm panel thickness
- FH = Leaf height
- 1 = Spacer profile for wall clearance



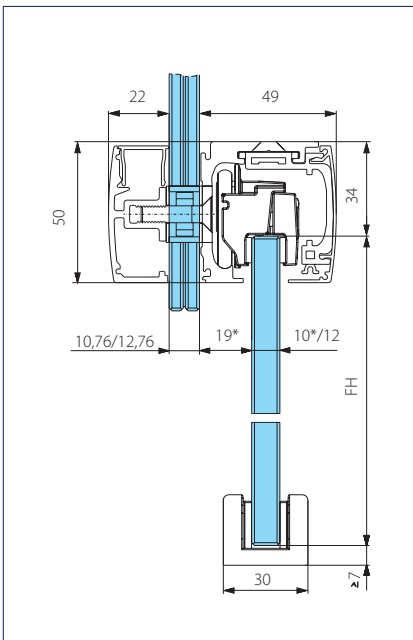
Ceiling mounting glass

- * = Dependence dimension shown with 10 mm panel thickness
- FH = Leaf height
- 1 = Height compensation mechanism



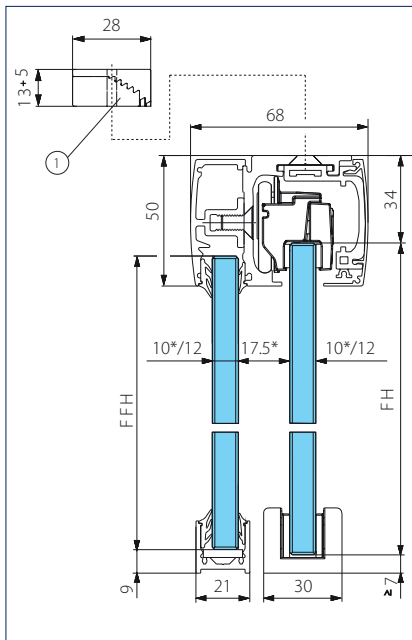
Concealed ceiling mounting glass

FH = Leaf height



Fanlight mounting glass

- * = Dependence dimension shown with 10 mm panel thickness
- FH = Leaf height



Fixed panel mounting glass

- * = Dependence dimension shown with 10 mm panel thickness
- FH = Leaf height
- FFH = Fixed panel height
- 1 = Height compensation mechanism

Note: Fixed panel and glass mounting analogue to Levolan 60 but with roller carriage Levolan 120

OVERVIEW OF COMPONENTS

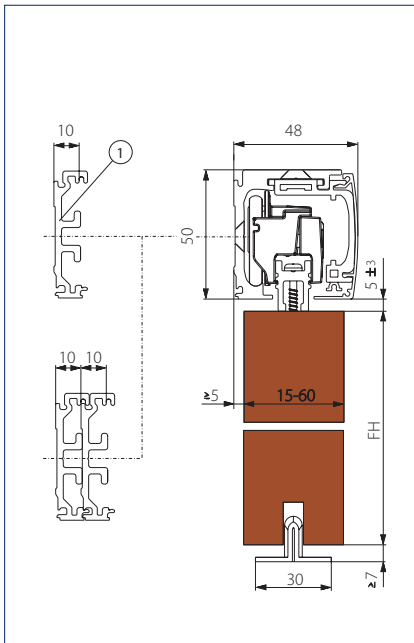
GEZE Levolan 120 wooden leaf SoftStop one-sided wall mounting with spacer profile for wall clearance



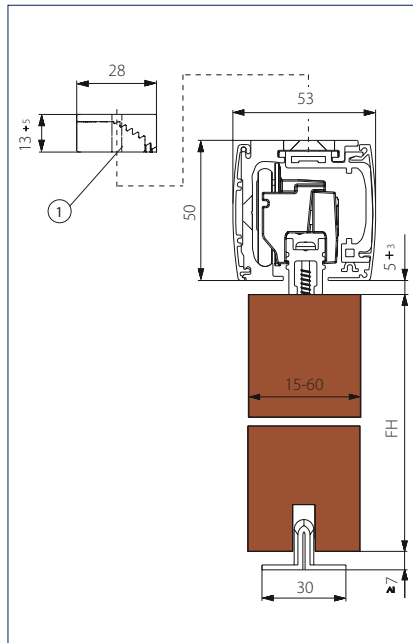
- 1 = Spacer profile for wall clearance Levolan
- 2 = Track Levolan
- 3 = Cover panel bracket Levolan
- 4 = End stop with hold-open device Levolan
- 5 = End cover Levolan
- 6 = Front cover profile Levolan

- 7 = Levolan 120 SoftStop one-sided
- 8 = Roller carriage Levolan 120
- 9 = Clamping profile for attaching wooden/metal leaves
- 10 = Wooden leaf (on site)
- 11 = Floor guide for wooden leaf

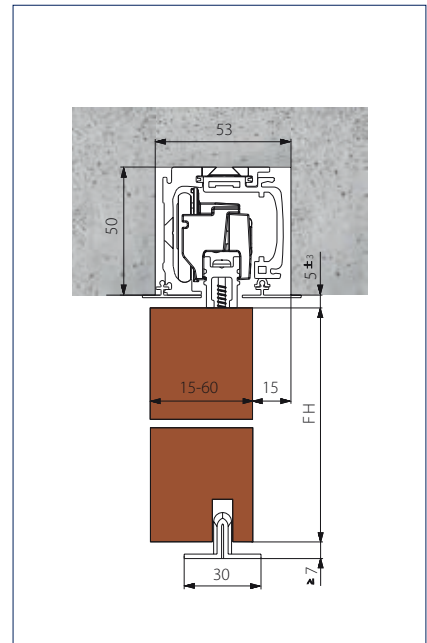
CROSS-SECTION DRAWINGS



Wall mounting wood
 FH = Leaf height
 1 = Spacer profile for wall clearance



Ceiling mounting wood
 FH = Leaf height
 1 = Height compensation mechanism



Concealed ceiling mounting wood
 FH = Leaf height

ORDER INFORMATION LEVOLAN 60 / LEVOLAN 120

Description	Leaf width from to	Length	Version	ID No.
Levolan 60 complete set For wall mounting	400 mm 840 mm	1650 mm	EV1	147164
	400 mm 1040 mm	2050 mm	EV1	147165
	400 mm 1240 mm	2450 mm	EV1	147166
	400 mm 840 mm	1650 mm	stainless steel optic	147167
	400 mm 1040 mm	2050 mm	stainless steel optic	147168
	400 mm 1240 mm	2450 mm	stainless steel optic	147169
	Levolan 120 complete set For wall mounting	640 mm 1240 mm	2450 mm	EV1
640 mm 1440 mm		2850 mm	EV1	157940
640 mm 1240 mm		2450 mm	stainless steel optic	157943
640 mm 1440 mm		2850 mm	stainless steel optic	157944
Complete set Levolan 60/120 Bespoke according to customer wishes				147170
Accessories				
Levolan 60 SoftStop set, damped on one side, up to 60 kg For draw-in damper on the left, comprising: 1 x damping unit, 1 x spacer for cover panel brackets, 1 x trigger, can also be retro-fitted - minimum leaf width 570 mm	1240 mm 570 mm			146370
Levolan 60 SoftStop set, damped on one side, up to 60 kg For draw-in damper on the right, comprising: 1 x damping unit, 1 x spacer for cover panel brackets, 1 x trigger, can also be retro-fitted - minimum leaf width 570 mm	1240 mm 570 mm			146401

GEZE LEVOLAN 60 / LEVOLAN 120

Description	Leaf width from to	Length	Version	ID No.	
Levolan 60 SoftStopDuo, damped on both sides, up to 60 kg For draw-in damper on the left & right, comprising: 1 x double damping unit, 2 x spacer for cover panel brackets, 2 x trigger, can also be retro-fitted - minimum leaf width 770 mm	1240 mm 770 mm			146402	
Levolan 120 SoftStop set, damped on one side, up to 120 kg For draw-in damper on the left, comprising: 1 x damping unit, 2 x spacer for cover panel brackets, 1 x trigger, can also be retro-fitted - minimum leaf width on one side 900 mm, on both sides 1,325 mm	900 mm 2500 mm			157999	
Levolan 120 SoftStop set, damped on one side, up to 120 kg For draw-in damper on the right, comprising: 1 x damping unit, 2 x spacer for cover panel brackets, 1 x trigger, can also be retro-fitted - minimum leaf width on one side 900 mm, on both sides 1,325 mm	900 mm 2500 mm			158000	
Cover profile for ceiling installation set Levolan 60/120 For facing the back for ceiling mounting, with end covers and fixing insert		1650 mm	EV1	147221	
		2050 mm	EV1	147222	
		2450 mm	EV1	147223	
	640 mm 1440 mm	2850 mm	EV1	157919	
		1650 mm	stainless steel optic	147224	
		2050 mm	stainless steel optic	147225	
		2450 mm	stainless steel optic	147226	
	640 mm 1440 mm	2850 mm	stainless steel optic	157921	
		1650 mm	EV1	147227	
		2050 mm	EV1	147228	
Additional fixed panel profile set Levolan 60/120 As add-on profile for creating a fixed panel at the side, comprising: additional profile, cover profile for free fixed panel area, glass seal 12 m, U-profile 1.5 m, end cover U-profile incl. glass supports, attachment set for fixed panel		2450 mm	EV1	147229	
	640 mm 1440 mm	2850 mm	EV1	157963	
		1650 mm	stainless steel optic	147230	
		2050 mm	stainless steel optic	147231	
		2450 mm	stainless steel optic	147232	
	640 mm 1440 mm	2850 mm	stainless steel optic	157965	
		1650 mm	EV1	145487	
		2050 mm	EV1	145488	
		2450 mm	EV1	145489	
		2850 mm	EV1	157975	
Track Levolan 60/120 For ceiling and wall installation		6000 mm	EV1	145490	
		1650 mm	stainless steel optic	145541	
		2050 mm	stainless steel optic	145542	
		2450 mm	stainless steel optic	145543	
		2850 mm	stainless steel optic	157977	
		6000 mm	stainless steel optic	145544	
	Track Levolan 60 / 120, bespoke according to customer wishes				145545
	Roller carriage set Levolan 60, 2 pcs., up to 60 kg leaf weight, including clamping inserts for 8-12 mm toughened safety glass and 2 hold-open springs				146148
	Roller carriage set Levolan 120, 2 pcs., up to 120 kg leaf weight, including clamping inserts for 10-12 mm toughened safety glass and 2 hold-open springs				157928
	Front cover profile Levolan 60/120 For covering the front for wall and ceiling mounting		1650 mm	EV1	145547
		2050 mm	EV1	145548	
		2450 mm	EV1	145549	
		2850 mm	EV1	157979	
6000 mm		EV1		145550	
		1650 mm	stainless steel optic	145551	
		2050 mm	stainless steel optic	145552	
		2450 mm	stainless steel optic	145553	
		2850 mm	stainless steel optic	157981	
		6000 mm	stainless steel optic	145554	
Front cover profile Levolan 60/120 Bespoke according to customer wishes				145555	

GEZE LEVOLAN 60 / LEVOLAN 120

Description	Leaf width from to	Length	Version	ID No.
Cover panel bracket set with end stop Levolan 60/120 For attachment of the front cover profile, comprising: 6 cover panel brackets, 2 end stops (left + right). Up to track length 2,450 mm				146146
Additional cover panel bracket set Levolan 60/120 Additional attachments for the front cover profile, comprising: 2 cover panel brackets, from track length 2,450 mm. 2 brackets required per m				159190
Cover profile for ceiling installation Levolan 60/120 For covering the back for ceiling mounting		1650 mm	EV1	145598
		2050 mm	EV1	145599
		2450 mm	EV1	145600
		2850 mm	EV1	157983
		6000 mm	EV1	145611
		1650 mm	stainless steel optic	145612
		2050 mm	stainless steel optic	145613
		2450 mm	stainless steel optic	145614
		2850 mm	stainless steel optic	157985
		6000 mm	stainless steel optic	145615
Cover profile for ceiling installation Levolan 60 / 120 bespoke according to customer wishes				145616
Cover profile for concealed / ceiling-flush installation Levolan 60 / 120 For covering the underside of the Levolan 60 / 120 for installation flush to the ceiling (identical on both sides)		1650 mm	EV1	147568
		2050 mm	EV1	147569
		2450 mm	EV1	147570
		2850 mm	EV1	157995
		6000 mm	EV1	147601
		1650 mm	stainless steel optic	147602
		2050 mm	stainless steel optic	147603
		2450 mm	stainless steel optic	147604
		2850 mm	stainless steel optic	157997
		6000 mm	stainless steel optic	147605
Cover profile for concealed / ceiling-flush installation Levolan 60 / 120 Bespoke according to customer wishes				147606
Additional fixed panel profile / glass installation Levolan 60 / 120 as add-on profile for creating a fixed panel at the side or for attachment of the Levolan 60 / 120 to a glass fanlight		1650 mm	EV1	146297
		2050 mm	EV1	146298
		2450 mm	EV1	146299
		2850 mm	EV1	157987
		6000 mm	EV1	146300
		1650 mm	stainless steel optic	146301
		2050 mm	stainless steel optic	146302
		2450 mm	stainless steel optic	146303
		2850 mm	stainless steel optic	157989
		6000 mm	stainless steel optic	146304
Additional fixed panel profile / glass installation Levolan 60 / 120 Bespoke according to customer wishes				146305
U-profile fixed panel		6000 mm	EV1	126965
		6050 mm	stainless steel optic	128294
U-profile fixed panel Bespoke			EV1	128076
			stainless steel optic	128295
Cover profile fixed panel for Perlan / Levolan 60 / 120 For covering the unused fixed panel area with Perlan / Levolan 60 / 120 as well as for top cover with glass installation Levolan 60 / 120		6000 mm	EV1	127003
		6050 mm	stainless steel optic	128342
Cover profile fixed panel for Perlan / Levolan 60 / 120 Bespoke			EV1	128078
			stainless steel optic	128343
End cover set Levolan 60/120 For wall mounting, fixed panel, glass installation			EV1	146341
			black	146343
			stainless steel optic	146342
End cover set Levolan 60/120 For ceiling mounting			according to RAL	146344
			EV1	146345
			black	146347
			stainless steel optic	146346
			according to RAL	146348

GEZE LEVOLAN 60 / LEVOLAN 120

Description	Leaf width from to	Length	Version	ID No.
End cover set with 2 glazing supports For use with U-profile fixed panel with Perlan / Levolan, comprising: end covers, 2 x screw, 2 x glazing block 15 x 3 mm			EV1	127001
			stainless steel optic	128361
Glass seal for Perlan / Levolan fixed panel For 8 / 10 / 12 mm glass thickness		12000 mm	black	158650
		12000 mm	grey	126869
		1650 mm	EV1	147555
		2050 mm	EV1	147556
		2450 mm	EV1	147557
		2850 mm	EV1	157991
Spacer profile for wall clearance Levolan 60 / 120 10 mm additional space, can be stacked up to 20 mm		6000 mm	EV1	147558
		1650 mm	stainless steel optic	147559
		2050 mm	stainless steel optic	147560
		2450 mm	stainless steel optic	147571
		2850 mm	stainless steel optic	157993
		6000 mm	stainless steel optic	147572
Spacer profile for wall clearance Levolan 60 / 120 Bespoke according to customer wishes				147573
Set of attachment materials for glass Levolan 60 / 120 2 screws for attachment of the additional profile through a glass pane on the track, including glass protection sleeves				132455
Set of attachment materials for glass Levolan 60 / 120 6 screws for attachment of the additional profile through a glass pane on the track, including glass protection sleeves				146362
Set of attachment materials for fixed panel Levolan 60/120 6 screws for attachment of the fixed panel add-on profile on the track				147163
Fixing insert set Levolan 60/120 For attaching the back cover profile and the spacer profile for wall clearance				148091
Height compensation mechanism/ceiling spacer set, with variable adjustment 6 pcs., height compensation mechanism with variable adjustment from 13 mm to 18 mm. For use for ceiling mounting using clip-on cover 100/145 as well as for general use on uneven ceilings				138099
LSG glueing bracket set For use with laminated safety glass in connection with Levolan 120, without adhesive				157930
LSG glueing bracket set For use with laminated safety glass in connection with Levolan 60, without adhesive				148092
LSG glass / metal glue 5x1 g For up to 5 doors				133056
LSG glass / metal glue 50 g For up to 30 doors				133039
Clamping profile for attaching wooden/metal leaves For the attachment of door leaves made of wood / metal / plastic to Levolan 60 / 120		1000 mm	EV1	146957
		1500 mm	EV1	146958
Clamping profile for attaching wooden/metal leaves Bespoke			EV1	146959
Floor guide for wooden leaf standard Without attachment material			galvanised	002191
Floor guide for glass leaf (stainless steel) For 8, 10, 12 mm glass			Stainless steel	134990
Floor guide for glass leaf (adjustable) With variable adjustment for glass thickness 8-13.5 mm, with frieze band for noise reduction with structured glass surfaces, without attachment material			silver-coloured	120417
			stainless steel optic	148019
			according to RAL	149657
Recessed handle, 8-12 mm glass Closed, outer diameter 60 mm, glass drill hole 40 mm			stainless steel	138670
Recessed handle, 15-80 mm wood Outer diameter 60 mm, specify leaf thickness when ordering			stainless steel	127614
Door handle rod, bespoke			Stainless steel	127616

GEZE LEVOLAN 60 / LEVOLAN 120



Track



Roller carriage Levolan 60



Roller carriage Levolan 120



Levolan 60 SoftStop one-sided left



Levolan 60 SoftStopDuo



Levolan 120 SoftStop one-sided left



Front cover profile



Cover profile for ceiling installation



Additional fixed panel profile glass clamp



U-profile fixed panel



Cover profile fixed panel



End cover set



Glass seal for fixed panel



Set of attachment material



Fixing insert set for glass



Height compensation mechanism



LSG glueing bracket set



LSG glass / metal glue



Clamping profile for attaching wood / metal leaves



Floor guide for wooden leaf



Floor guide for glass leaf
Stainless steel



Floor guide for glass leaf
adjustable



Recessed handle glass
closed



Stainless steel door handle
rod